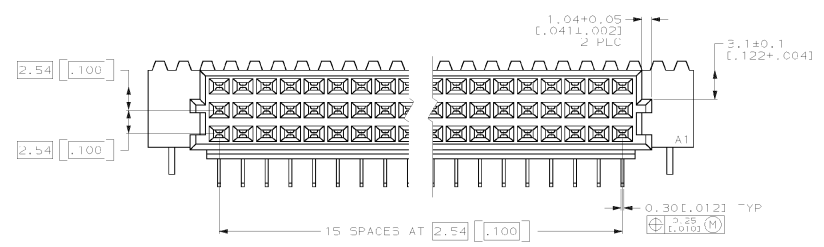


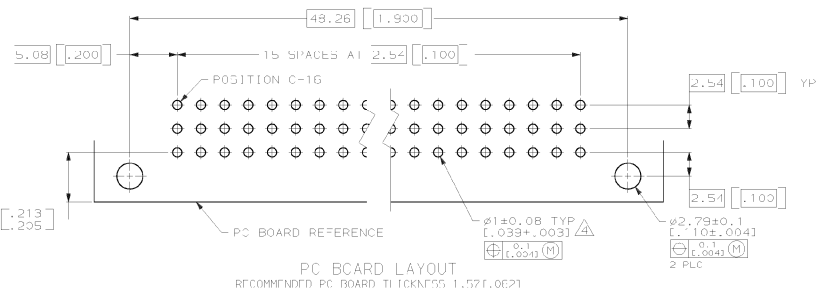
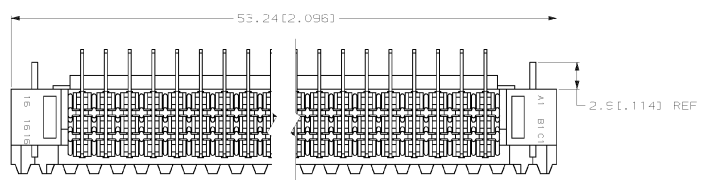
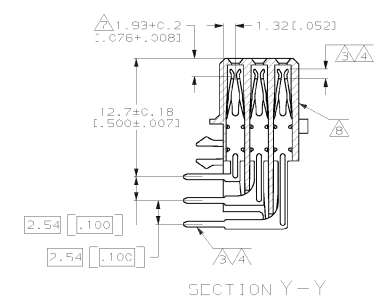
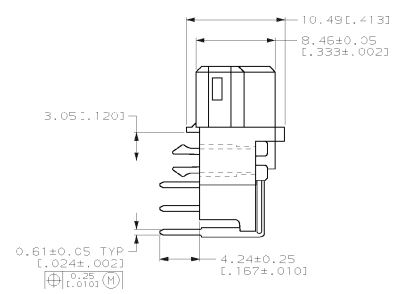
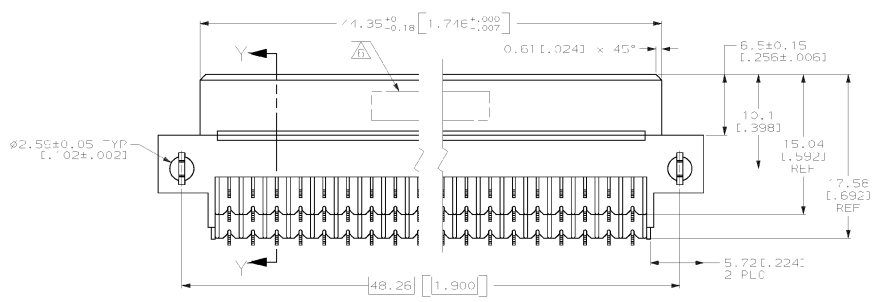
SP4418 PDS 1-4 THIRD ANGLE PROJECTION  
 THIS DRAWING IS UNPUBLISHED.  
 © COPYRIGHT 19

RELEASED FOR PUBLICATION  
 BY AMP INCORPORATED. ALL INTERNATIONAL RIGHTS RESERVED.

REV		DATE		ZONE		LTY		REVISIONS		DATE	APPD
AD	25			F				REV PER EC	0512-0016-03	05/04/84	AS



- ⚠ HOUSING MATERIAL: GLASS-FIBER POLYESTER. COLOR: GRAY.
- ⚠ CONTACT MATERIAL: PHOSPHOR BRONZE.
- ⚠ CONTACT FINISH: DIN 41612 CLASS 2 IN CONTACT AREA. TIN-LEAD FLATE ON POSTS.
- ⚠ CONTACT FINISH: DIN 41612 CLASS 3 IN CONTACT AREA. TIN-LEAD FLATE ON POSTS.
- ⚠ RECOMMENDED HOLE SIZE FOR MANUAL APPLICATION OF CONNECTION ON TO PC BOARD.
- ⚠ PART NUMBER, DATE CODE IDENTIFICATION, CSA LOGO MARKED THIS APPROXIMATE AREA.
- ⚠ CONTACT POINT.
- ⚠ MARKING ON THIS SIDE.



OBSOLETE	POSITIONS LOADED	C B A			NO. OF LOADED POSITIONS	ASSY PART NUMBER
⚠	1-15	X	X	X	48	536432-9
⚠	1-15	X	X	X	48	536432-5
⚠	1-15	X	X	X	48	536432-4

DO NOT SCALE PRINT. UNLESS SPECIFIED DIMENSIONS IN mm (INCHES):		PAR. NO.	
OR	BR:NER 8/20/92		
TOLERANCES ON:	9/3/92		
1 PLC DEC ±			
2 PLC DEC ± 0.13 (0.005) ANGLES			
RATERIAL	APD R. PATTERSON 9/3/92		
H56: ⚠	APD D.C. RUBENDALL 9/4/92		
FINISH	PRODUCT SPEC		
CONT: ⚠	APPLICATION SPEC		
	WEIGHT		
	SIZE	CASE CODE	DRAWING NO.
		00779	536432
	SCALE	4:1	SHEET 1 OF 1

THIS DRAWING IS A CONTROLLED DOCUMENT FOR AMP INCORPORATED. IT IS SUBJECT TO CHANGE AND THE CONTROLLING ENGINEERING ORGANIZATION SHOULD BE CONTACTED FOR THE LATEST REVISION.

CUSTOMER DRAWING